

# Locker Bench Units – Single Sided

REQUEST A QUOTE

## Locker Bench Units – Single Sided Product Information

- Used in locker rooms in industry, mines, factories hospitals and many more locations.
- Combines seating and lockers in a single unit to optimise floor space.
- Lockers are mounted on frames and seating is provided immediately in front of the locker.
- Single sided units are installed against walls.
- Ideal seating for locker rooms with limited space for separate aisle seating.
- Available in standard lengths of 900,1200 or 1500mm's.
- Non standard lengths available on request.
- Manufactured in angle iron, square or round tubing.
- Meranti slats 32mm thick is standard other seat options available.
- Various wood and steel seat and top options available.
- Standard colour is grey, non standard colours are available.
- Electroplating + powder coating of legs recommended for high humidity areas.
- Adjustable feet and base plates for floor fixing available.
- Range of accessories available.

Product Range – Locker Bench Units – Single Sided

LBAS003

LBR003

LBSS003









Standard Bench Lengths		Bench Product Codes		
Product Data	LBAS003	LBR003	LBSS003	
(1) Standard length – mm's	900	900	900	
(2) Standard length – mm's	1200	1200	1200	
(3) Standard length – mm's	1500	1500	1500	
(4) Custom made length – mm's	< Made to customer requirements >			
Standard Bench Frame Specifications		Bench Product Codes		
Product Data	LBAS003	LBR003	LBSS003	
Bench frame material	Angle iron	Rnd. tubing	Sq. tubing	
(1) Standard duty – mm's	40 x 40 x 3	38.1 x 1.2	38 x 38 x 1.2	
(2) Heavy duty – mm's	40 x 40 x 5	50 x 1.2	50 x 50 x 1.2	
PVC foot piece	Y	Y	Y	
<b>Finish *</b>	P/coated	P/coated	P/coated	
Standard colour	Grey	Grey	Grey	
<b>* Powder coated</b>				
Standard Seat Specifications		Bench Product Codes		

Product Data	LBAS003	LBRS003	LBSS003
Wood type	Meranti	Meranti	Meranti
Number of seat slats and slat sizes – mm's	2 x 140	2 x 140	2 x 140
Seat depth – mms	370	370	370





Wood Seat Options for Benches	Seat Width	Bench Product Codes			
Product Data – Meranti* wood seats	MM'S	Seat code	WMA001	WMR001	WMS001
2 x Slats 140mm wide X 32mm's thick	370	<b>WS001</b>	Y	Y	Y
2 x Slats 140mm wide X 70mm's thick	370	<b>WS002</b>	Y	Y	Y
2 x Slats 140mm wide X 100mm's thick	370	<b>WS003</b>	Y	Y	Y
4 x Slats 70mm wide X 32mm's thick	370	<b>WS004</b>	Y	Y	Y
4 x Slats 70mm wide X 70mm's thick	370	<b>WS005</b>	Y	Y	Y
4 x Slats 70mm wide X 100mm's thick	370	<b>WS006</b>	Y	Y	Y





**\* Also available in pine, oak or wood of your choice.**

View Wood Seat Options				
Click to view				
<b>Seat code:</b> <b>WS001</b>  	<b>Seat code:</b> <b>WS002</b>  	<b>Seat code:</b> <b>WS003</b>  		

<b>Seat code: WS004</b>  	<b>Seat code: WS005</b>  	<b>Seat code: WS006</b>  
--	--	---




Steel Seat Options for Benches	Seat Width	Bench Product Codes			
Product Data – Steel Seats	MM'S	Seat code	WMA001	WMR001	WMS001
Powder coated + plain	370	<b>SS001</b>	Y	Y	Y
Powder coated + perforated	370	<b>SS002</b>	Y	Y	Y
Galvanised + plain	370	<b>SS003</b>	Y	Y	Y
Galvanised + plain + powder coated	370	<b>SS004</b>	Y	Y	Y
Galvanised + perforated	370	<b>SS005</b>	Y	Y	Y
Galvanised + perforated + powder coated	370	<b>SS006</b>	Y	Y	Y
Stainless – plain	370	<b>SS007</b>	Y	Y	Y
Stainless – perforated	370	<b>SS008</b>	Y	Y	Y

<b>View Steel Seat Options</b>			
<b>Click to view</b>			
<b>Seat code: SS001</b>  	<b>Seat code: SS002</b>  	<b>Seat code: SS003</b>  	<b>Seat code: SS004</b>  

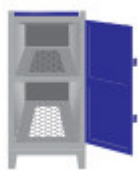
<p>Seat code: SS005</p> 	<p>Seat code: SS006</p> 	<p>Seat code: SS007</p> 	<p>Seat code: SS008</p> 
---	---	--	---

Accessory Options		Bench Product Codes		
Accessory	Acc. code	LBAS003	LBR5003	LBSS003
Adjustable foot piece	<b>BA001</b>	Y	Y	Y
Base plate + adjustable foot piece	<b>BA003</b>	Y	Y	Y
Base plate for floor fixing	<b>BA004</b>	Y	Y	Y
Boot locker	<b>BA006</b>	Y	Y	Y
Galvanised + powder coated	<b>BA007</b>	Y	Y	Y
Non standard colours	<b>BA008</b>	Y	Y	Y

**View Accessory Options**

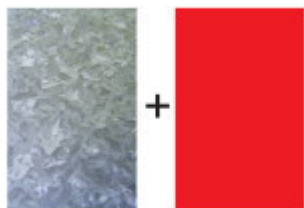
<b>Click to view</b>		
<p>Acc. code: <b>BA001</b></p>  <p>Adjustable foot piece</p>	<p>Acc. code: <b>BA003</b></p>  <p>Base plate + adjustable</p>	<p>Acc. code: <b>BA004</b></p>  <p>Base plate for floor fixing</p>

**Acc. code:  
BA006**



Boot locker

**Acc. code:  
BA007**



Galv. +  
powder coated

**Acc. code:  
BA008**



Non standard  
colours